



BOSCH
Invented for life

DiBos 19 inch Digital Video Recorders - Version 8 (AMEC)



- ▶ Models for 6, 12, 18, 24 and 30 analog cameras and up to 32 additional network cameras/video encoders
- ▶ MPEG4 compression
- ▶ Control cameras and AutoDomes with Biphase or Bilinx
- ▶ 2 spot monitor outputs
- ▶ Web-browser remote access and viewing
- ▶ DVD writer for exporting video clips
- ▶ Connectable to Bosch alarm panels
- ▶ Easy to use and powerful user interface

DiBos uses Bosch's proven state of the art digital recording and communications technology and takes video surveillance to a new level. It is an integral part of overall security solutions for a wide range of applications – including banks, large retailers, railway stations, airports, city centers, industrial facilities, and office buildings.

Customers can retrieve vital images and share information faster than ever before. They can better assess critical situations and take action immediately. Whether they're on site or at a remote network location, authorized personnel have quick, convenient access to information so they can operate more effectively and efficiently.

DiBos can store up to 450/375 ips (NTSC/PAL) on 30 composite video inputs. As many as 10 audio data streams can be recorded on a 30-video channel unit.

Users can connect up to 32 additional Bosch IP cameras (Dinion IP, Gen4 IP) or Bosch network video encoders (VideoJet and VIP X Series MPEG4). The users can store up to 30/25 ips per attached network encoder. Every network video encoder can add one additional audio channel. In addition to Bosch MPEG4 network encoders, DiBos can receive JPEG images from network cameras from numerous manufacturers.

The system offers advanced features for viewing and very high flexibility in recording and image access. The real power of DiBos is fast, convenient accessibility to images and information. If required, accessibility to images and information is possible round the clock and everywhere all over the world. Communication and access to DiBos is possible via private or public networks. For these purposes the system can be connected to a variety of peripheral devices and systems.

The unique, scalable GUI allows live and recorded images from multiple remote systems to be viewed from a single PC or another DiBos. With this powerful tool, security managers can monitor and supervise various locations simultaneously.

Cameras and viewing modes can be programmed or selected manually. Each camera offers in-window pan/tilt/zoom functionality from local or remote facilities. Images are displayed with date/time, location, camera name and status of connected devices such as detectors and sensors.

DiBos can be programmed to respond to specific situations and events automatically. Minimal human intervention is necessary.

In response to alarms, the system can be programmed to transmit images or messages to security personnel or security control center.

Playback is easy thanks to familiar search and navigation functions in a tree structure. Images can be accessed locally or remotely via a company network or the Internet. The customer can select multiple different views from up to 30 cameras.

Fast, powerful image search functions eliminate time-consuming manual searches. Functions include search for image changes, search for criteria such as camera number and recording date/time.

To ensure high security, all access is controlled by user authorization. Profiles are assigned by the system administrator. Events, such as login, logoff, status changes, image transmission, and system shutdown are stored in a database. Video authentication is built in to ensure that DiBos images are not altered in any way.

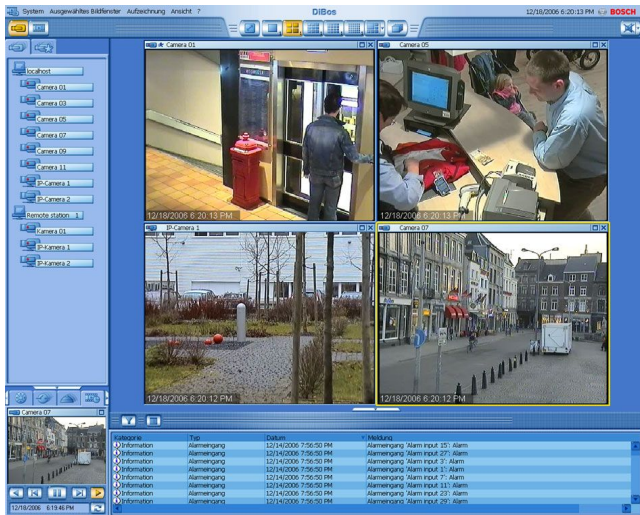
Various storage devices – such as external disk arrays, RAID and NAS devices, and external disk drives – may be used for export and backup of images.

DiBos supports Bilinx for pan/tilt/zoom and camera configuration via the video coax cable.

The configuration wizard makes installation quick and easy.

DiBos serial ports can be connected to Bosch alarm panels and Allegiant matrices.

Live mode

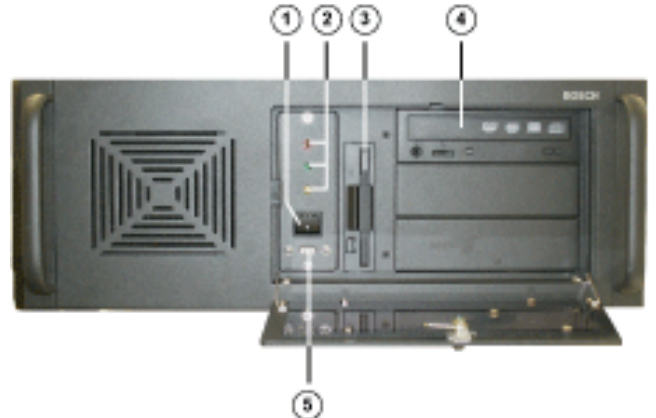


Playback mode



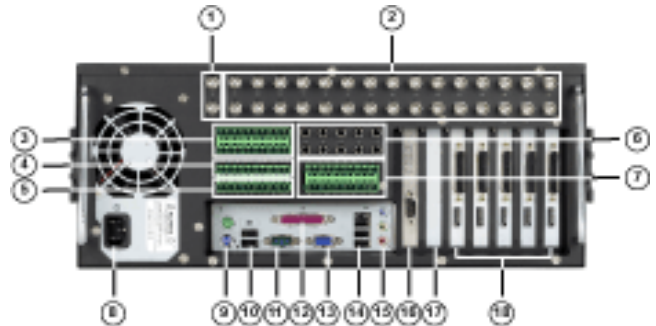
Installation/Configuration Notes

Front view:



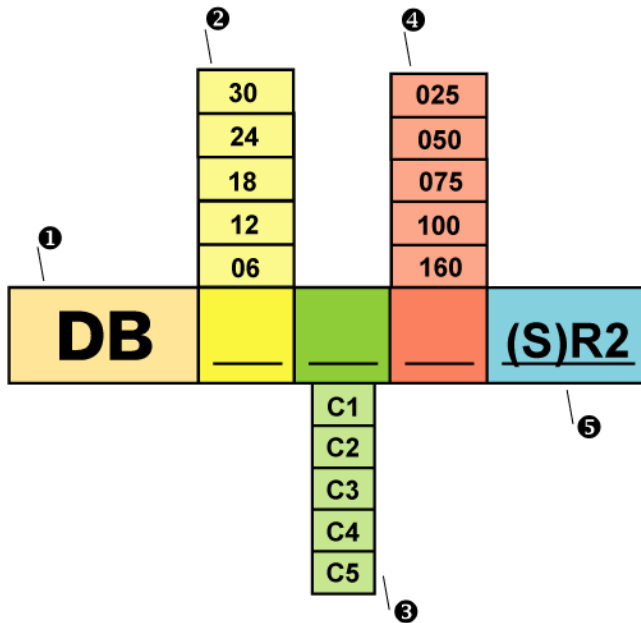
- 1 On/Off switch
- 2 Control lamps:
Yellow = unused
Red = Hard disk access
Green = system is switched on
- 3 Floppy disk drive
- 4 DVD writer
- 5 USB 2.0

Rear view:



1 Video monitor A Videomonitor B	10 2x USB 2.0
2 Video inputs 1 - 30	11 Serial port COM1
3 Alarm inputs 1 - 21	12 Parallel interface (Dongle must be plugged in)
4 Alarm inputs 22- 32	13 VGA monitor
5 Biphasse 1 - 4, malfunction out-puts 1	14 Ethernet (RJ45) 2x USB 2.0
6 Audio inputs 1 - 10	15 Line In (blue) Speaker Out (green) Microphone In (red), Mono
7 Relay outputs 1 - 16	16 Second serial port
8 Mains connection 100 / 240VAC, 50/60Hz (automatic switchover)	17 Free for optional PCI plug-in cards
9 Mouse (green) Keyboard (purple)	18 Grabbers 1 - 5

Ordering information:



- 1 Type DiBos
- 2 Number of analog camera inputs
- 3 C1 version with max. 6 camera inputs and 750 GB
C2 version with max. 12 camera inputs and 750 GB
C3 version with max. 18 camera inputs and 250, 500, 1000, 1600 GB
C4 version with max. 24 camera inputs and 250, 500, 1000, 1600 GB
C5 version with max. 30 camera inputs and 250, 500, 1000, 1600 GB
- 4 Disk size (x10 GB)
- 5 Version (R: Rack mount, SR: Rack mount built in SCSI adaptor and SCSI cable)

E. g. : **DB 30 C5 160 R2**
30 channel DiBos with 1600 GB storage

Technical Specifications

Electrical

Compression Method	MPEG4												
Camera Inputs (analog)	6 BNC connectors (DB 06 C1) 12 BNC connectors (DB 12 C2) 18 BNC connectors (DB 18 C3) 24 BNC connectors (DB 24 C4) 30 BNC connectors (DB 30 C5)												
Camera Inputs (IP)	16 video/audio MPEG4 data streams from Bosch/VCS network or JPEG devices (DB 06 C1, DB 12 C2, DB 18 C3) 32 video/audio MPEG4 data streams from Bosch/VCS network or JPEG devices (DB 24 C4, DB 30 C5)												
Composite video signal	1 Vpp, 75 Ohm												
Video outputs (loop through)	Via breakout cable												
Recording resolution (analog inputs)	PAL: 352 x 288 (CIF), 704 x 288 (2CIF) NTSC: 352 x 240 (CIF), 704 x 240 (2CIF)												
Recording resolution (IP inputs - Bosch IP devices)	PAL: 704 x 576 (4CIF/D1), 704 x 288 (2CIF), 464 x 576 (2/3 D1), 352 x 576 (1/2 D1), 352 x 288 (CIF), 176 x 144 (QCIF) NTSC: 704 x 480 (4CIF/D1), 704 x 240 (2CIF), 464 x 480 (2/3 D1), 352 x 480 (1/2 D1), 352 x 240 (CIF), 176 x 120 (QCIF)												
Recording rates (analog) for DiBos models	<table border="0"> <tr> <td>IPS</td> <td>IPS</td> <td>IPS</td> <td>IPS</td> </tr> <tr> <td>CIF</td> <td>CIF</td> <td>2CIF</td> <td>2CIF</td> </tr> <tr> <td>(PAL)</td> <td>(NTSC)</td> <td>(PAL)</td> <td>(NTSC)</td> </tr> </table>	IPS	IPS	IPS	IPS	CIF	CIF	2CIF	2CIF	(PAL)	(NTSC)	(PAL)	(NTSC)
IPS	IPS	IPS	IPS										
CIF	CIF	2CIF	2CIF										
(PAL)	(NTSC)	(PAL)	(NTSC)										
DB 06 C1 xxx R2	75	90	50	60									
DB 12 C2 xxx R2	150	180	100	120									
DB 18 C3 xxx R2	225	270	150	180									
DB 24 C4 xxx (S) R2	300	360	200	240									
DB 30 C5 xxx (S) R2	375	450	250	300									
Recording rates per channel (video inputs analog)	PAL: 0,5; 1; 2; 3; 4; 5; 6; 8; 12,5; 25 ips NTSC: 0,5; 1; 2; 3; 5; 6; 7,5; 10; 15; 30 ips												
Image size (video inputs analog)	Configurable from approx. 1.5 kB to 20 kB												
Maximum data input rate (analog and IP)	50 Mbit per second												
Recording rates per channel (video inputs IP)	PAL: 0,5; 1; 2; 3; 4; 5; 6; 8; 12,5; 25 ips NTSC: 0,5; 1; 2; 3; 5; 6; 7,5; 10; 15; 30 ips												
Image size (video inputs IP)	Configurable bit streams up to 3 Mbit per camera												
Supported single channel encoders Bosch VideoJet Series and Bosch VIP Series	VJ10S, VJ 1000 VIP X1, VIP 10												

Supported multichannel encoders Bosch VideoJet Series and Bosch VIP Series	VJ 8004, VJ 8008 VIP X2, VIP X1600
Supported IP cameras Bosch Dinion Series	NWC-0455, NWC-0495
Supported JPEG cameras from other manufacturers	For further information please contact Bosch Security Systems
Audio Inputs	2, 4, 6, 8, 10, cinch connector, line in signal, 16 KHz sampling rate
Audio Outputs	1, line out signal, 1/8" mini-plug (3,5 mm)
Alarm Inputs (NO / NC)	32 Switching voltage (high): >2 VDC Switching voltage (low): <0,5 VDC Input voltage: max. 40 VDC Impedance: 22 kOhm pull up (+5 V)
Malfunction relay output	1 Voltage range: 30 VAC - 40 VDC Switching current: max. 500 mA AC or DC Switching power: max. 10 VA
Relay Outputs (NO / NC)	16 Voltage range: 30 VAC - 40 VDC Switching current: max. 500 mA AC or DC Switching power: max. 10 VA
Spot monitor output	2 CVBS outputs for full screen or sequences from connected analog cameras
Bilinx control	For AutoDome control and Dinion camera configuration via coax
PTZ control	Bilinx: Via coax cable, up to 30 AutoDome units. Biphase: Up to 16 AutoDome units. RS 232: Protocols from Bosch, Panasonic, Pelco (D-Protocol), JVC, SAE are supported. RS 232: Via Console Port of any Allegiant matrix.
Storage capacity (internal hard disk)	250 GB, 500 GB, 750 GB, 1000 GB, 1600 GB (8 GB are needed for the operating system and video system software)
Video output	1x VGA
Ethernet	10/100/1000Base-T, bandwidth-limited
CPU	Intel P4 (min. 3 GHz)
RAM	1024 MB
RS 232	2
USB 2.0	5
DVD writer	Included; supported medias: DVD-R, DVD+R
Power supply	100 / 240 VAC, 50 / 60 Hz (auto switch)
Typical power consumption	approx. 150 W
Power consumption	max. 210 W
Operating system	Microsoft Windows® XP Embedded
Web Browser	Microsoft Internet Explorer 6 or higher, on Windows 2000 or Windows® XP
Export of video/audio datas	DiBos-format or ASF-format on DVD-R/DVD+R, USB-device or network drive
Image Printer	via USB (with Windows XP drivers)

Mechanical facilities

Dimensions (H x W x D)	17,5 x 48,0 x 54,5 cm (7 x 19 x 21.5 inch)
Weight	16 - 20.4 kg (25 - 55 lb), dependent on model

Environmental conditions

Operating temperature	+5 °C to +40 °C (41 ° to 104 °F)
Storage temperature	-10 °C to +60 °C (-14 °F to 140 °F)
Relative humidity in operation	15% to 80%, no condensation
Relative humidity when stored	8% to 80%, no condensation

Electromagnetic Compatibility (EMC)

- USA: FCC Part 15, Class A
- EU: EMC Directive 89/336/EEC
Interference immunity: Conformance with EN 50130-4 requires an external UPS. The product is tested according to EN 50130-4, with the exception of voltage interruption to EN 50130-4:1995 Chapter 3/8/04. To comply with EN 50130-4, an external UPS is required. The UPS (Pulsar ellipse 500) is not contained in the product and must be ordered separately. The UPS should be dimensioned for at least 480 VA.
Interference emission: EN 55022, Class B
Mains power fluctuations: EN 61000-3-2
Voltage fluctuations: EN 61000-3-3

Safety

- USA: UL60950 Third edition (2000)
CAN/CSA 22.2 No.60950-00, Third edition (2000)
- EU: EN 60950: 2000

Warranty	3 years
Approved anti virus software	Norton Anti Virus McAfee Virus Scan Trend Micro

Hardware and Software options

DiBos software receiver/IP recorder (for alarm image streams via network and/or ISDN and / or PSTN)

DB SR 002	DiBos software receiver, no network camera/network video encoder can be connected
DB SR 162	DiBos software receiver/IP recorder, up to 16 network cameras/network video encoders can be connected
DB SR 322	DiBos software receiver/IP recorder, up to 32 network cameras/network video encoders can be connecte

Requirements for computer with DiBos receiver software/IP recorder:

Operating system	Windows XP Professional
CPU	2 GHz or more, Pentium® 4
RAM	512 MB

VGA card	1024 x 768, 32-Bit color depth
USB-connector	for dongle
Windows® and Windows®xp, are registered trademarks of Microsoft Corporation.	
Intel Pentium® and Celeron® are registered trademarks of Intel Corporation.	

Ordering Information

DB 06 C1 075 R2 DiBos Digital Video Recorder	DB06C1075R2
6 channel DiBos with 750 GB HDD, DVD writer, 16 IP devices.	
DB 12 C2 075 R2 DiBos Digital Video Recorder	DB12C2075R2
12 channel DiBos with 750 GB HDD, DVD writer, 16 IP devices.	
DB 18 C3 025 R2 DiBos Digital Video Recorder	DB18C3025R2
18 channel DiBos with 250 GB HDD, DVD writer, 16 IP devices.	
DB 18 C3 025 SR2 DiBos Digital Video Recorder	DB18C3025SR2
18 channel DiBos with 250 GB HDD, DVD-RW, 16 IP devices. Inclusive SCSI adaptor and SCSI cable.	
DB 18 C3 050 R2 DiBos Digital Video Recorder	DB18C3050R2
18 channel DiBos with 500 GB HDD, DVD writer, 16 IP devices.	
DB 18 C3 100 R2 DiBos Digital Video Recorder	DB18C3100R2
18 channel DiBos with 1000 GB HDD, DVD writer, 16 IP devices.	
DB 18 C3 160 R2 DiBos Digital Video Recorder	DB18C3160R2
18 channel DiBos with 1600 GB HDD, DVD writer, 16 IP devices.	
DB 24 C4 025 R2 DiBos Digital Video Recorder	DB24C4025R2
24 channel DiBos with 250 GB HDD, DVD writer, 32 IP devices.	
DB 24 C4 025 SR2 DiBos Digital Video Recorder	DB24C4025SR2
24 channel DiBos with 250 GB HDD, DVD-RW, 32 IP devices. Inclusive SCSI adaptor and SCSI cable.	
DB 24 C4 050 R2 DiBos Digital Video Recorder	DB24C4050R2
24 channel DiBos with 500 GB HDD, DVD writer, 32 IP devices.	

Ordering Information

DB 24 C4 100 R2 DiBos Digital Video Recorder	DB24C4100R2
24 channel DiBos with 1000 GB HDD, DVD writer, 32 IP devices.	
DB 24 C4 160 R2 DiBos Digital Video Recorder	DB24C4160R2
24 channel DiBos with 1600 GB HDD, DVD writer, 32 IP devices.	
DB 30 C5 025 R2 DiBos Digital Video Recorder	DB30C5025R2
30 channel DiBos with 250 GB HDD, DVD writer, 32 IP devices.	
DB 30 C5 025 SR2 DiBos Digital Video Recorder	DB30C5025SR2
30 channel DiBos with 250 GB HDD, DVD-RW, 32 IP devices. Inclusive SCSI adaptor and SCSI cable.	
DB 30 C5 050 R2 DiBos Digital Video Recorder	DB30C5050R2
30 channel DiBos with 500 GB HDD, DVD writer, 32 IP devices.	
DB 30 C5 100 R2 DiBos Digital Video Recorder	DB30C5100R2
30 channel DiBos with 1000 GB HDD, DVD writer, 32 IP devices.	
DB 30 C5 160 R2 DiBos Digital Video Recorder	DB30C5160R2
30 channel DiBos with 1600 GB HDD, DVD writer, 32 IP devices.	
Accessories	
DB EK 012 ES English Keyboard and Spanish Manuals	DBEK012ES
DB EK 012 FR English Keyboard and French Manuals	DBEK012FR
DB EK 012 PT English Keyboard and Portuguese Manuals	DBEK012PT
DB EK 061 SCSI Card Adapter and SCSI Cable	DBEK061
Expansion. Included SCSI cable. DiBos Micro: Only for DB 06, due to required PCI slot. DiBos 19 inch: Not for DB 30 C5 100 R2 and DB 30 C5 160 R2, due to required PCI slot.	
Software Options	
DB SE 031 Software Interface to Bosch Alarm Panels	DBSE031
Connection via RS 232 to 9000 Series (Radionics), UGM 2020, UEZ 2000/1000, BZ 500, NZ/BZ 1060, NZ/BZ 1012, NZ 1008.	
DB SR 002 Receiver Software	DBSR002
DiBos receiver software for Win XP PC. Includes USB dongle. No recording of IP cameras.	

Ordering Information**DB SR 002-5P Receiver Software, 5 pack DBSR002-5P**

DiBos receiver software for Win XP PC. Includes 5 USB dongles. No recording of IP cameras.

DB SR 162 Receiver Software/IP Recorder DBSR162

DiBos receiver software for Win XP PC. Includes USB dongle. Recording up to 16 cameras.

DB SR 322 Receiver Software/IP Recorder DBSR322

DiBos receiver software for Win XP PC. Includes USB dongle. Recording up to 32 cameras.

Europe, Middle East, Africa:
 Bosch Security Systems B.V.
 P.O. Box 80002
 5600 JB Eindhoven, The Netherlands
 Phone: +31 40 2577 284
 Fax: +31 40 2577 330
 emea.securitysystems@bosch.com
 www.boschsecurity.com

Americas:
 Bosch Security Systems, Inc.
 130 Perinton Parkway
 Fairport, New York, 14450, USA
 Phone: +1 800 289 0096
 Fax: +1 585 223 9180
 security.sales@us.bosch.com
 www.boschsecurity.us

Asia-Pacific:
 Bosch Security Systems Pte Ltd
 38C Jalan Pemimpin
 Singapore 577180
 Phone: +65 6319 3450
 Fax: +65 6319 3499
 apr.securitysystems@bosch.com
 www.boschsecurity.com

Represented by